

IS 5.0



CONTROL PANEL



YANMAR ENGINE



INPUT/OUTPUT FUEL PIPE

the intercooler W/A assures the perfect functioning of the generator independently of the external ambient temperature, therefore the alternator and the engine will work at ideal temperature optimizing the performance and reliability of the gen-set. The generator may be installed in any room on the vessel without the need of ventilation blowers. Extremely compact and quiet, the generator is equipped with a double shock absorbing system to increase comfort: the first one absorbs vibrations from engine-alternator to the frame, the second one absorbs residual micro-vibrations from frame to vessel.

We reserve the right to modify the data, images and drawings in this document without prior notice.

For more detailed information, please contact your local distributor or Mase Generators S.p.A.



COMPACT
DESIGN



EASY
INSTALLATION



SUPER
SILENCED



mase generators spa

Via Tortona, 345 | 47522 - Cesena (FC) | Italy

Tel. +39 0547 354311

commercial@masegenerators.com

www.masegenerators.com

mase
GENERATORS
Believing in change.



Output power 5 kW

CONTROL PANEL

_ The CBU module is equipped with a large display and includes multiple functions for the complete monitoring of the generator:

- Manual start
- Voltage Vac
- Frequency Hz
- Engine rpm
- Hour meter
- Genset battery voltage
- Oil low pressure alarm
- Engine high temperature alarm
- Alternator high temperature alarm
- Alarm history
- Maintenance warnings and 10 meters connection cable

_ Emergency stop button

_ Thermal protection

ENGINE

_ Easy maintenance access to the feeding and lubrication systems, the sea water pump and the air filter

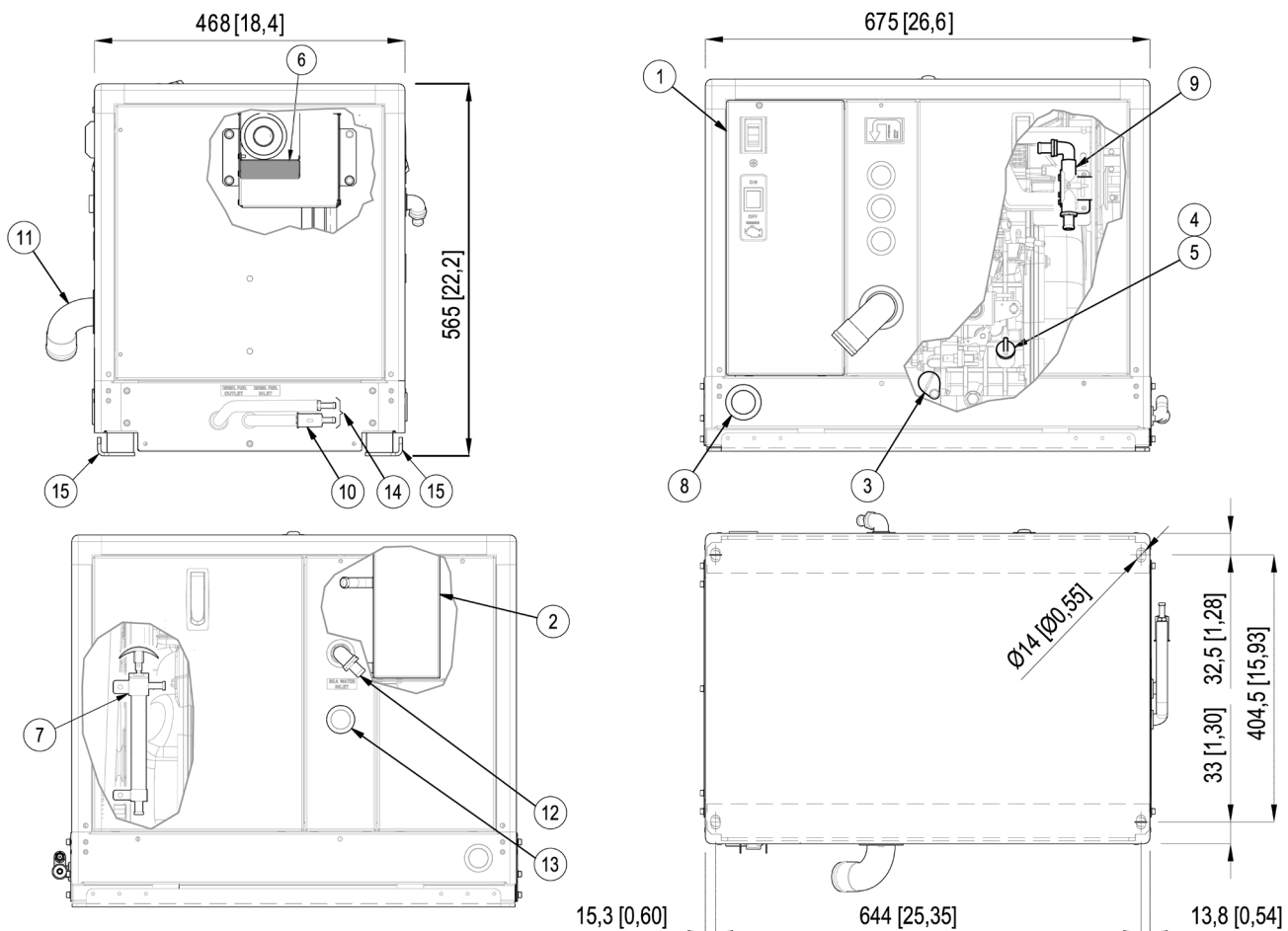
_ Double vibration dumping system

_ Oil drain pump

SOUNDPROOF CABIN

_ Made of extremely light marine aluminum with very high resistance to external agents

Insulated poles kit (for metal hull boats), dry exhaust kit and keel cooling kit are available on request



- | | | | |
|--------------------------|-------------------|--------------------------------|------------------------------------|
| 1. Control panel | 6. Air filter | 11. Exhaust manifold (d.45 mm) | 14. Fuel tank connections (d.8 mm) |
| 2. Air / water exchanger | 7. Oil drump pump | 12. Sea water intake (d.16 mm) | 15. Genset fixing brackets |
| 3. Oil filter cartridge | 8. Cables outlet | | |
| 4. Oil dipstick | 9. Sea water pump | | |
| 5. Engine oil filler | 10. Fuel filter | | |
| | | 13. Battery connections | |



Output power 5 kW

DATA SHEET

AC alternator -	Synchronous, 2 poles, self-energized, brushless, with capacitors
Cooling -	Air / Water (Intercooler W / A)
Voltage -	115 or 230 V
Frequency -	50 Hz
Amps -	43.5 or 21.7 A
Max power -	5 kW
Continuous power -	4.2 kW
Power Factor -	cos ϕ 1
Insulating class -	H
Voltage stability -	$\pm 10\%$
Frequency stability -	$\pm 5\%$

The power is referred to a sea water temperature up to 31°, an atmospheric pressure of 100 KPa and a humidity percentage of 30%

Model -	Yanmar L100N
Type -	Diesel 4 stroke
Cylinders -	nr 1
Cylinder block material -	Aluminium
Bore -	86 mm - 3.39 in
Stroke -	75 mm - 2.96 in
Displacement -	435 cc - 26.55 CID
Power -	8.8 hp - 6.47 kWm (at 3000 RPM)
RPM -	3000
Compression ratio -	20.5:1
Combustion system -	Direct injection
Engine head material -	Aluminium
Speed governor -	Centrifugal mechanical
Lubrication system -	Forced
Oil sump capacity with filter -	1.65 l - 0.36 gl
Engine stop system -	Solenoid valve
Fuel pump -	Electric
Max. fuel pump head -	700 mm - 2.29 ft
Fuel consumption -	1.6 l/h - 0.42 gl/h
Air intake -	600 l/min - 158.5 gl/min
Starting battery -	55 Ah - 12 V
Battery charger -	10 Ah - 12 V
Starter motor -	0.8 kW - 12 V
Max. inclination -	25°
Water pump flow -	20 l/min - 5.3 gl/min
Sea water inlet pipe \varnothing -	16 mm - 5/8"
Exhaust pipe \varnothing -	45 mm - 1.75 in
Input/Output fuel pipe \varnothing -	8 mm - 5/16"
Dimensions (L x W x H) -	675 x 468 x 565 mm - 26.6 x 18.4 x 22.2 in (with soundproof box)
Weight -	130 Kg - 287 lb (with soundproof box)
Noise Level -	54 dBA at 7 mt (23 ft)



Output power 5 kW

Accessory

Code

ACCESSORIES ON REQUEST

• Installation kit D.45: filtering set, exhaust set and siphon break D.16	040274
• Filtering kit: sea water inlet, sea water strainer, taps, fittings D.16 - ref.3	04349
• Exhaust kit: muffler, silencer, exhaust outlet D.45 MASE - ref.1	04654
• Super silenced exhaust kit & exhaust gas separator D.45 MASE - ref.4	040272
• Siphon break D.16 - ref.2	04290
• Mase Muffler D.45	71810
• Silencer Mase D.45	70803
• Mase water/gas exhaust separator D.45	040273
• Soundproofing cabin	040705
• Remote START/STOP 20-meter control kit for CBU (3000 RPM)	041238
• Cruise KIT	913826

