

## TECHNICAL DATA

Product type	Reverse osmosis watermaker
Application	Seawater for nautical application
Production	50 Lit/h (13,2 Gal/h) @35ppm and 25°C
Membranes	2x Membrane SW-2521
Rejection	99,5% (nominal)
Recovery	10 %
Power supply	12V±15% DC 24V±15% DC
Absorption - Poer required	22A - 250W (12V) 11,8A - 250W (24V)
Pumps	2x Shurflo diaphragm pump
Pressure pump	7 - 8 bar
Flow rate pump	7,9 - 8,3 l/min
Water inlet temperature range	8 - 30 °C
Pre-filtration	1x 5micron filter 10"x2-1/2" 1x Active carbon filter 2-7/8" x 9-3/4"
Shipping wight	49 kg
Shipping dimensions	82x52x64 cm



## HYDRAULIC CONNECTIONS

### PUMP / FILTERS / NR VALVE

Seawater inlet	Hose barb DN16
Seawater outlet	Hose barb DN16

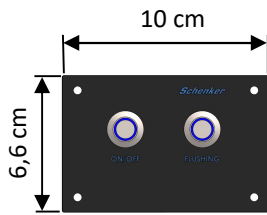
### WATERMAKER

Seawater inlet	Hose barb DN16
Concentrated water outlet	Hose barb DN16
Fresh water outlet	Serto ¼" - Hose 6x8

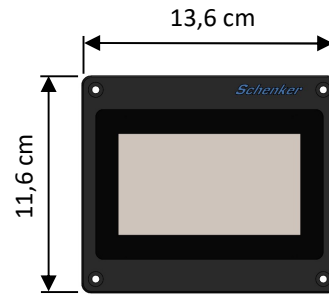
## CONTROL SYSTEMS AND OPTIONAL DEVICES

Electronics	Basic / Touch
Automatic flushing	Standard
Safety control	High/low pressure Low voltage
Salinity monitoring	N.A. (Basic) / Optional (Touch)

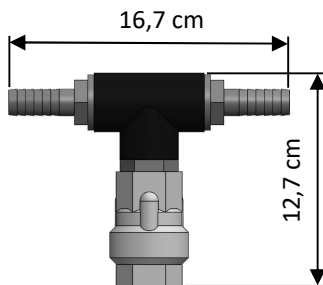
**COMPONENTS**



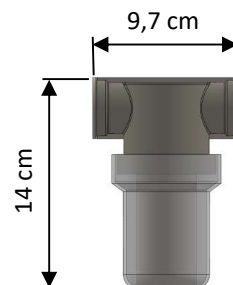
**CONTROL PANEL (BASIC)**  
Depth: 3,6 cm  
Cut dimensions: 7,6x4,4 cm



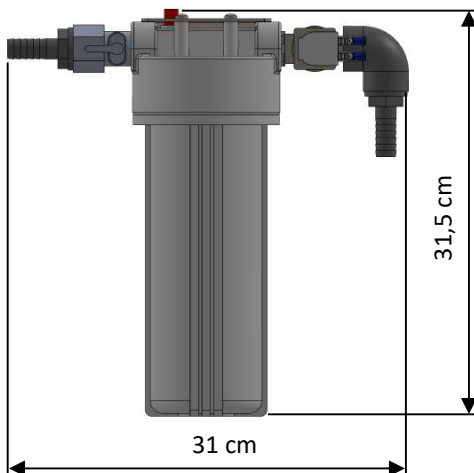
**CONTROL PANEL (TOUCH)**  
Depth: 3,2 cm  
Cut dimensions: 11x8,8 cm



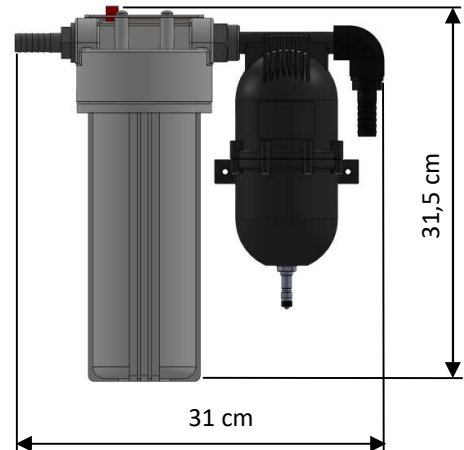
**NON-RETURN VALVE**  
Depth: 4,7 cm



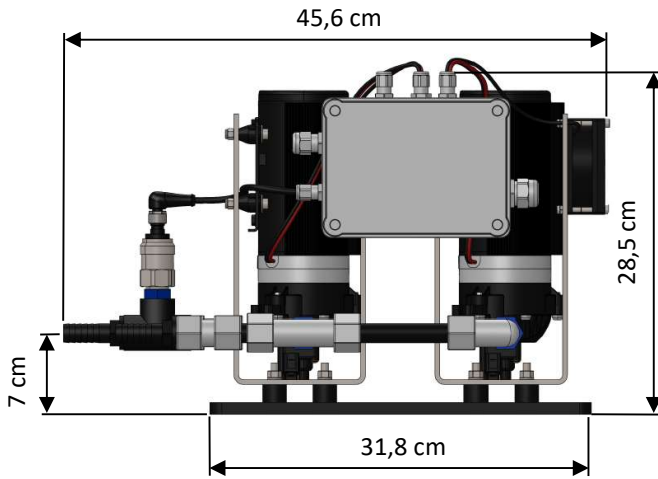
**MESH FILTER GROUP**  
Depth: 9,1 cm



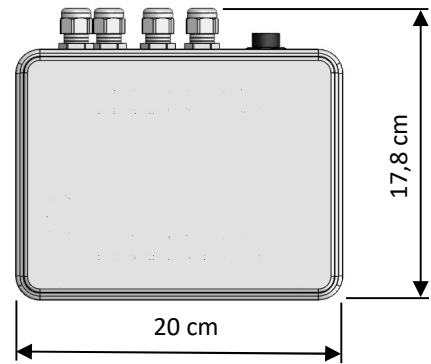
**ACTIVE CARBON FILTER GROUP**  
Depth: 13,1 cm



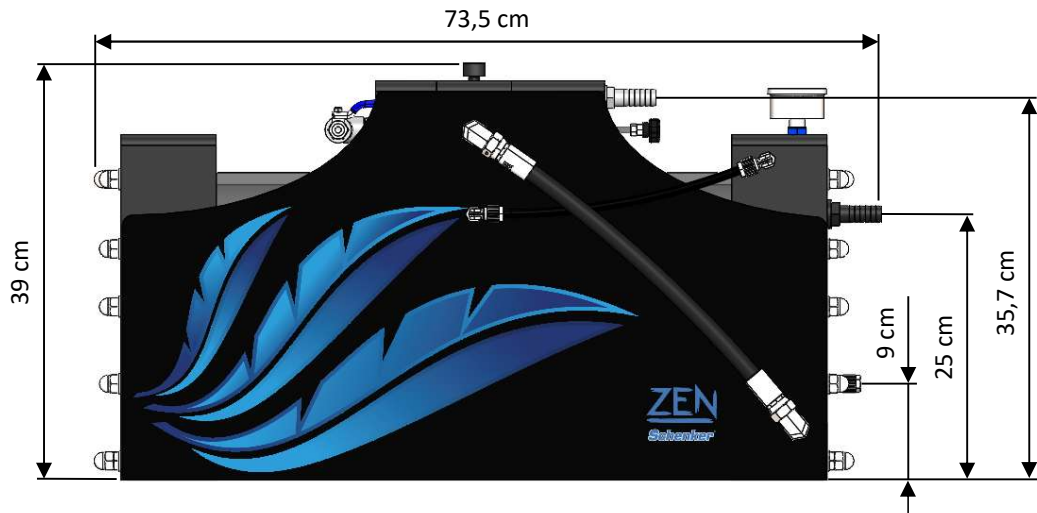
**5 MICRON FILTER GROUP**  
Depth: 13 cm



**PUMP GROUP**  
Depth: 24 cm - Weight: 9,2 kg

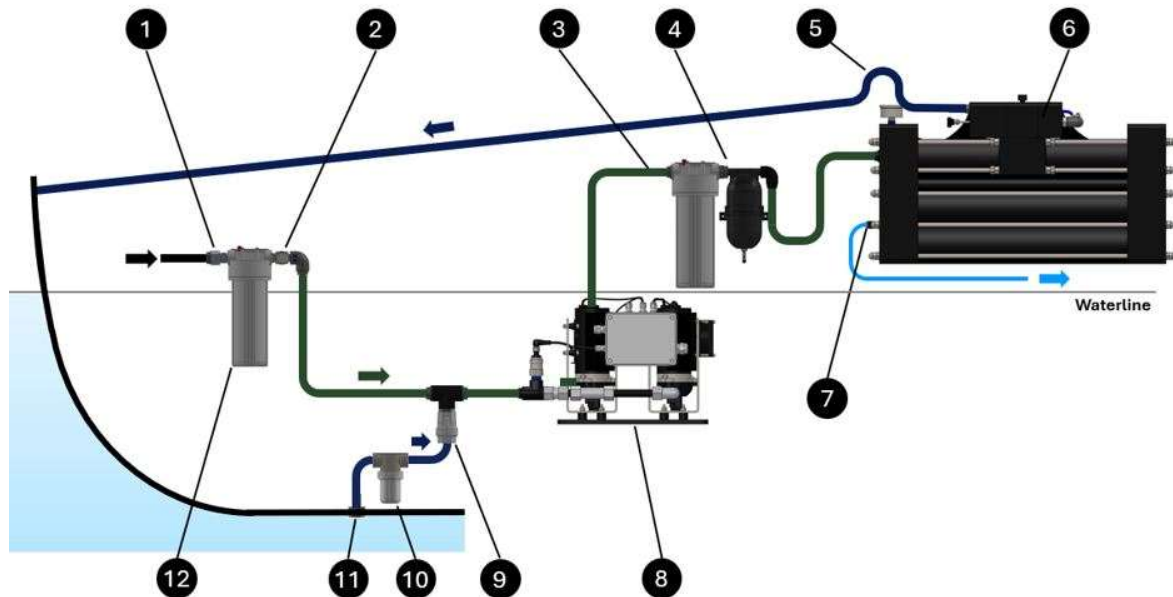


**COMPUTER BOX (TOUCH)**  
Depth: 8 cm



**WATERMAKER**  
Depth: 15,3 cm - Weight: 21,3 kg

## INSTALLATION SCHEME



- |   |                               |    |                      |
|---|-------------------------------|----|----------------------|
| 1 | Pressurized fresh water valve | 7  | Fresh water outlet   |
| 2 | Electrovalve                  | 8  | Pump                 |
| 3 | 5 micron filter               | 9  | Non return valve     |
| 4 | Accumulator                   | 10 | Mesh filter          |
| 5 | Swan neck upwater - Discharge | 11 | Sea water inlet      |
| 6 | Watermaker                    | 12 | Active carbon filter |

### SCHENKER ITALIA s.r.l.

Via Ferrante Imperato, 499/501, Condominio Genesis  
80146 NAPOLI – NA – Italia

Email: [info@schenker.it](mailto:info@schenker.it)

Web: <https://schenkerwatermakers.com/>

Tel. +39 0815593505 - 0815590931