

### TECHNICAL DATA

Product type	Reverse osmosis watermaker
Application	Seawater for nautical application
Production	100 Lit/h (26,4 Gal/h) @35ppm and 25°C
Membranes	2x Membrane SW-4021
Rejection	99,5% (nominal)
Recovery	10 %
Power supply	12V±15% DC 24V±15% DC 48V±15% DC 110V±15% AC - 60Hz 230V±15% AC - 50/60Hz
Absorption - Poer required	33A - 400W (12V) 17A - 400W (24V) 11A - 400W (48V) 5,3A - 600W (110V) 2,5A - 600W (230V)
Pump	Rotary pump
Pressure pump	10 - 11 bar
Flow rate pump	15,6 - 16,6 l/min
Water inlet temperature range	8 - 30 °C
Pre-filtration	1x 5micron filter 10"x2-1/2" 1x Active carbon filter 2-7/8" x 9-3/4"
Shipping wight	85 kg / 88 kg (230V)
Shipping dimensions	88x64x69 cm



### HYDRAULIC CONNECTIONES

#### PUMP / FILTERS / NR VALVE

Seawater inlet	Hose barb DN20/22 - DN20
Seawater outlet	Hose barb DN20/22 - DN20

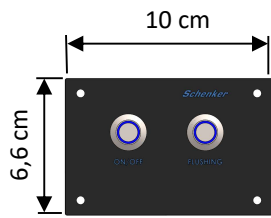
#### WATERMAKER

Seawater inlet	Hose barb DN20/22
Concentrated water outlet	Hose barb DN16
Fresh water outlet	Serto ¼" - Hose 6x8

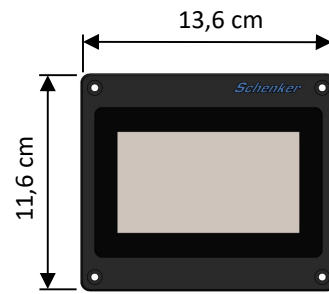
### CONTROL SYSTEMS AND OPTIONAL DEVICES

Electronics	Basic / Touch
Automatic flushing	Standard
Safety control	High/low pressure Low voltage
Salinity monitoring	N.A. (Basic) / Optional (Touch)

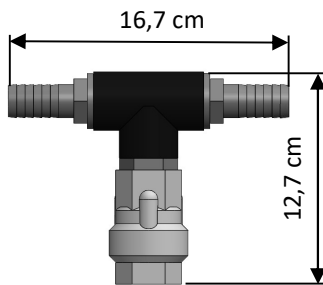
**COMPONENTS**



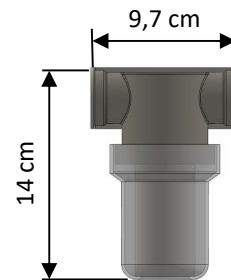
**CONTROL PANEL (BASIC)**  
Depth: 3,6 cm  
Cut dimensions: 7,6x4,4 cm



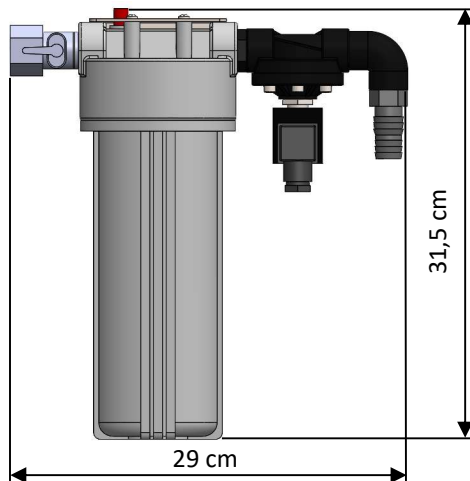
**CONTROL PANEL (TOUCH)**  
Depth: 3,2 cm  
Cut dimensions: 11x8,8 cm



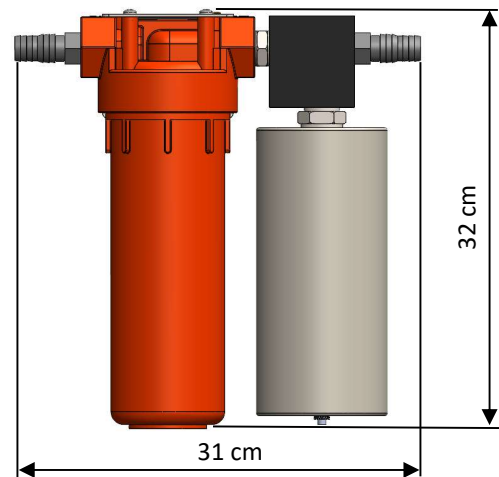
**NON RETURN VALVE**  
Depth: 4,7 cm



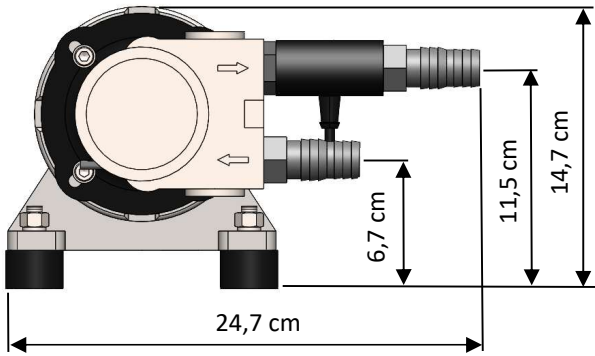
**MESH FILTER GROUP**  
Depth: 9,1 cm



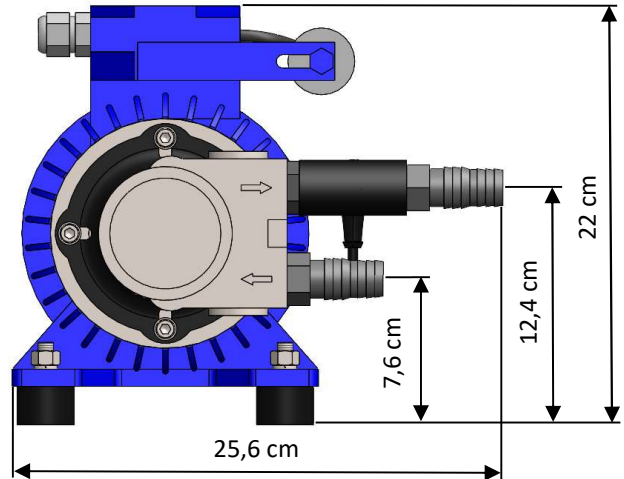
**ACTIVE CARBON FILTER GROUP**  
Depth: 12,8 cm



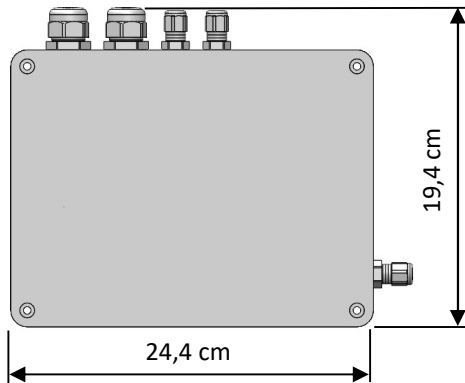
**5 MICRON FILTER GROUP**  
Depth: 11,3 cm



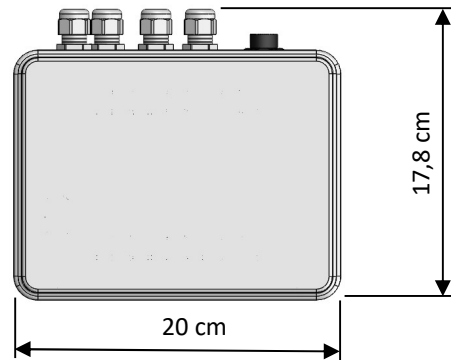
PUMP GROUP 12/24/48V  
Depth: 37,1 cm - Weight: 10,1 kg



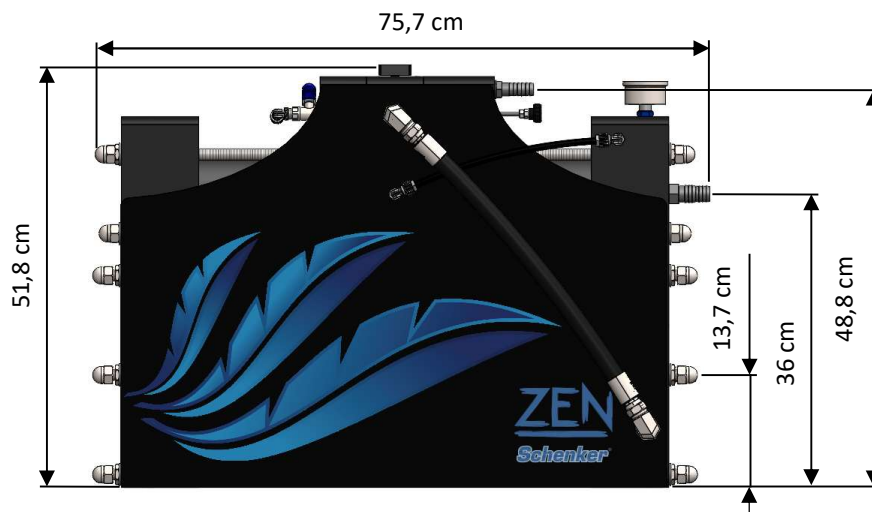
PUMP GROUP 230V  
Depth: 40,4cm – Weight: 12kg



ELECTRICAL PUMP BOX  
Depth: 10,6 cm

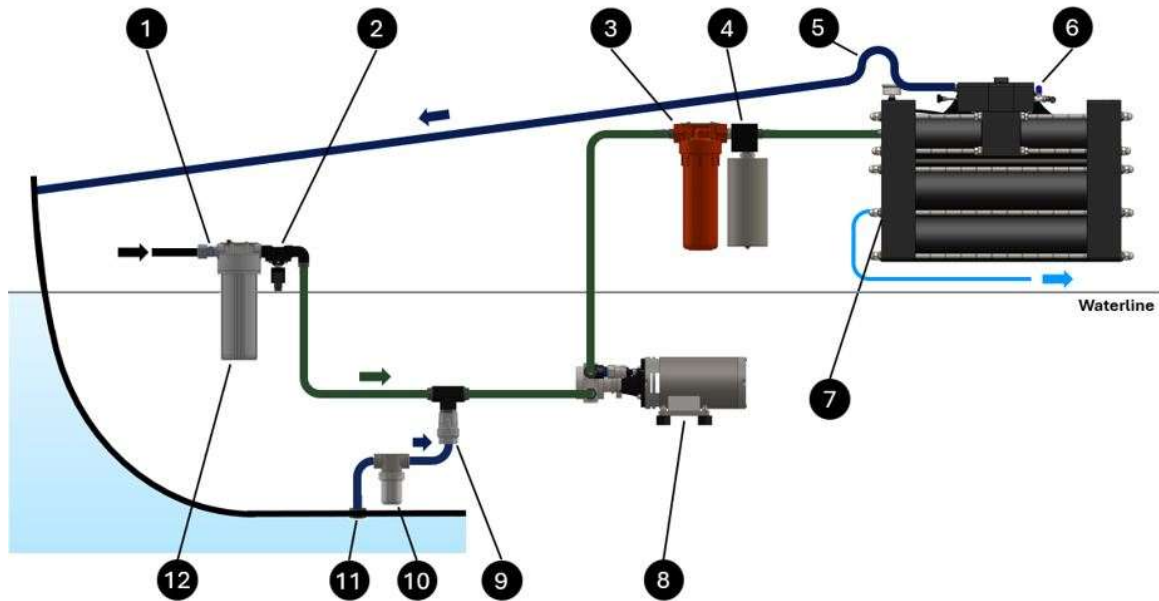


COMPUTER BOX (TOUCH)  
Depth: 8 cm



WATERMAKER  
Depth: 19 cm - Weight: 40,8 kg

## INSTALLATION SCHEME



- |                                 |                         |
|---------------------------------|-------------------------|
| 1 Pressurized fresh water valve | 7 Fresh water outlet    |
| 2 Electrovalve                  | 8 Pump                  |
| 3 5 micron filter               | 9 Non return valve      |
| 4 Accumulator                   | 10 Mesh filter          |
| 5 Swan neck upwater - Discharge | 11 Sea water inlet      |
| 6 Watermaker                    | 12 Active carbon filter |

### SCENKER ITALIA s.r.l.

Via Ferrante Imparato, 499/501, Condominio Genesis  
80146 NAPOLI – NA – Italia

Email: [info@schenker.it](mailto:info@schenker.it)

Web: <https://schenkerwatermakers.com/>

Tel. +39 0815593505 - 0815590931